

# Healthy food – success story from the Oltenia Region, Romania

**Gabriel Vladut, IPA Craiova**



# Healthy food in Romania

Agriculture, agro-food and healthy food – Functional Foods, new food products, healthy and nutritionally enriched and Smart Agriculture – offer Romania a unique opportunity to address complex inter-connected challenges, while achieving economic growth.

Healthy food can assist in making the transition to a more resource efficient society that relies more strongly on renewable biological resources to satisfy consumers' needs and industry demands and tackle climate change.

The aim of RIS3 Strategy in Romania, in the field of healthy food, is to propose different tools and services to enhance successful commercialization of research results in this field, develop specific innovation support services, enhance mutual learning and capacity building and finally assess the opportunities to foster a sustainable Joint Action Plan (JAP) for Innovation and Technology Transfer for 2021-2027 on the basis of existing structures and good practice.

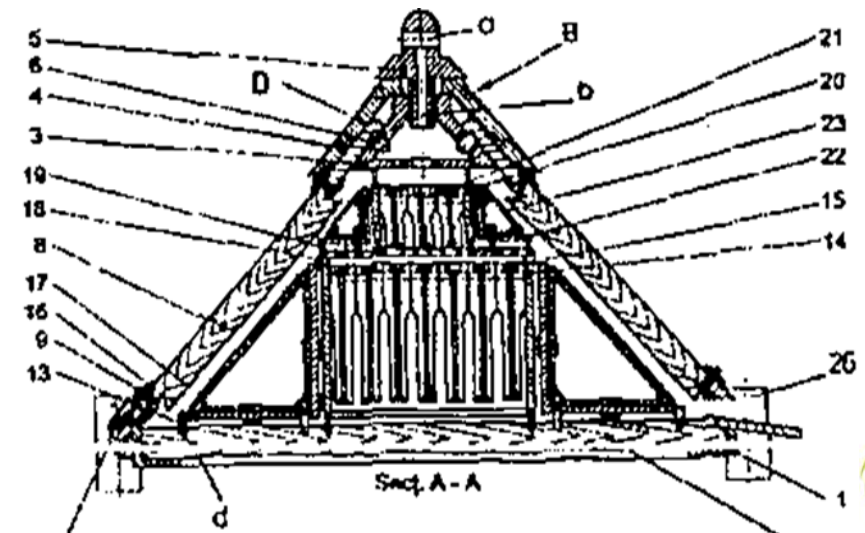


# Project idea 1: Modulated installation for obtaining bee products, ecological and bee development

- This technology is based on patent no. 119919 and received Silver Medal, Geneva, 2009, Silver Medal and Special Award from the Macedonian Patent Office Nuremberg, Germany 2010; Gold Medal, INVENTIKA 2010, Bucharest.
- The technology relates to a modulated institution for obtaining bee products, ecological, and bee development, in open spaces, greenhouses and solarium, through the pyramid effect, used in beekeeping.
- The technical problem to be solved by the invention consists in achieving the optimal conditions for obtaining ecological bee products and bee development. The invention uses the pyramid effect and is realised as a pyramid oriented on the NS direction, composed of a base of the pyramid, some faces of the pyramidal installation and some devices for fixing, fastening and venting.

A Cooperation Agreement is hereby established between:

- Virtual Bio-economy Cluster, Oltenia, Craiova and
- Virtual Cluster for Agriculture having as managing entity, the Chamber of Commerce and Industry of Vratza, Bulgaria.



## Project idea 2: Gluten-free rice bread, affected by addition of hydrocolloids and emulsifiers

Based on a patent proposal registered at the State Office for Inventions and Trademarks from Romania (OSIM).

The present project idea proposes a variety of breads that can be used as replacements for traditional wheat breads, trying to provide alternative gluten-free products. One of the most suitable cereal flours for preparing gluten-free products is the rice flour, due to its unique attributes such as bland taste, colorless and hypoallergenic properties, and low level of protein, sodium, fat, fiber and high content of easily digested carbohydrates.

Our proposal supposes the following bread making procedure: Basic dough recipe on 100 g rice flour and starch basis consisted of 60% rice flour, 40% potato starch, 10% milk powder, 5% vegetable oil, 5% yeast, 5% sugar and 2% salt.

The amount of water (30 oC) added to the rice dough was 150% (rice flour and starch basis).

A Cooperation Agreement is hereby established between:

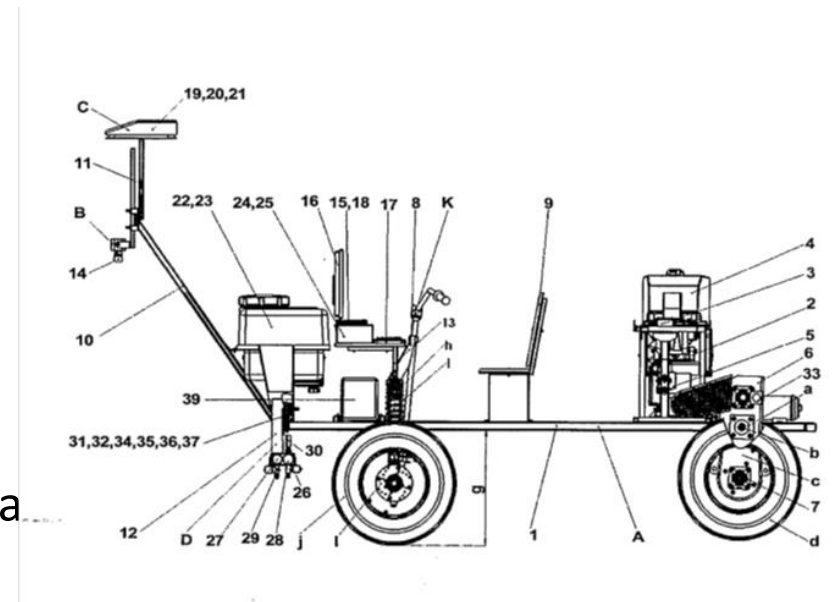
- Virtual Bio-economy Cluster, Oltenia, Craiova and
- Virtual Cluster for Agriculture having as managing entity, the Chamber of Commerce and Industry of Vratza, Bulgaria.



# Project idea 3: Automatic precision system for differentiated weeding of weeds in agricultural crops

- Based on patent no. 129049.
- The technology relates to an automatic precision system for the differentiated herbicide application on agricultural lands, destined to control weeds in agricultural crops, with the optimization of the quantity of applied herbicides.
- The technical problem that the invention aims to solve consists in the realization of an automatic herbicide system, which allows the precise and differentiated treatment of weeds, depending on their category and with a low herbicide consumption.

A Cooperation Agreement is hereby established between:  
Virtual Bio-economy Cluster, Oltenia, Craiova, and  
Inovativni Klaster Ribarstva "Ikra Akvaponija", Zrenjanin, Serbia

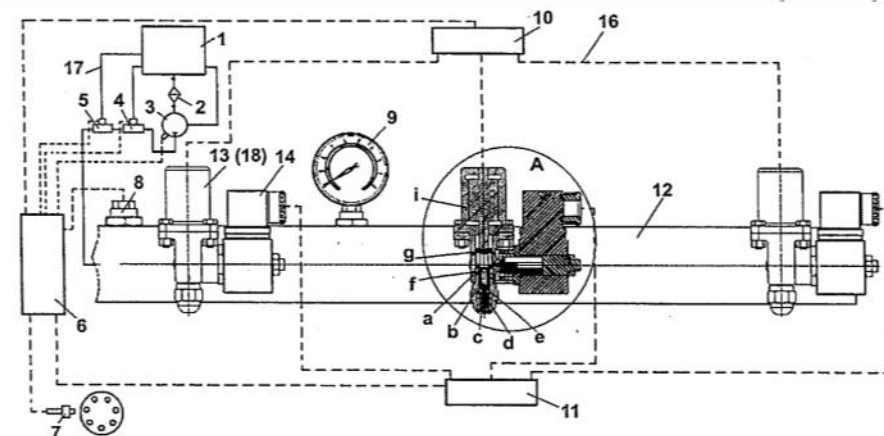


# Project idea 4: Automatic guidance system for agricultural aggregates

Based on patent no. 129416.

- The technology relates to a dynamic system for automatic adjustment of anti-drip pressure for precision herbicide, intended for equipment equipped with a system of discrimination and classification of weeds, under the influence of travel speed, to control weeds in agricultural crops, optimizing the amount of herbicides applied.
- Weed control in precision agriculture involves the administration of herbicide where there are weeds.
- The application of the proposed system leads to the increase of the application precision by reducing the times in which the spray jet reaches the established parameters, and the disappearance of the times in which the jet does not correspond to the requirements.

A Cooperation Agreement is hereby established between:  
Virtual Bio-economy Cluster, Oltenia, Craiova, and  
Union of Slovak Clusters



# Thank you for your kind attention!

Gabriel Vladut  
IPA CIFATT Craiova, Romania  
E-mail: office@ipacv.ro  
Tel: +40 251 412290



[www.interreg-danube.eu/danube-s3-](http://www.interreg-danube.eu/danube-s3-)



[cluster](https://www.facebook.com/DanubeS3Cluster)



[facebook.com/DanubeS3Cluster](https://www.facebook.com/DanubeS3Cluster)



[twitter.com/DanubeS3Cluster](https://twitter.com/DanubeS3Cluster)

[linkedin.com/in/danubes3cluster/](https://www.linkedin.com/in/danubes3cluster/)

